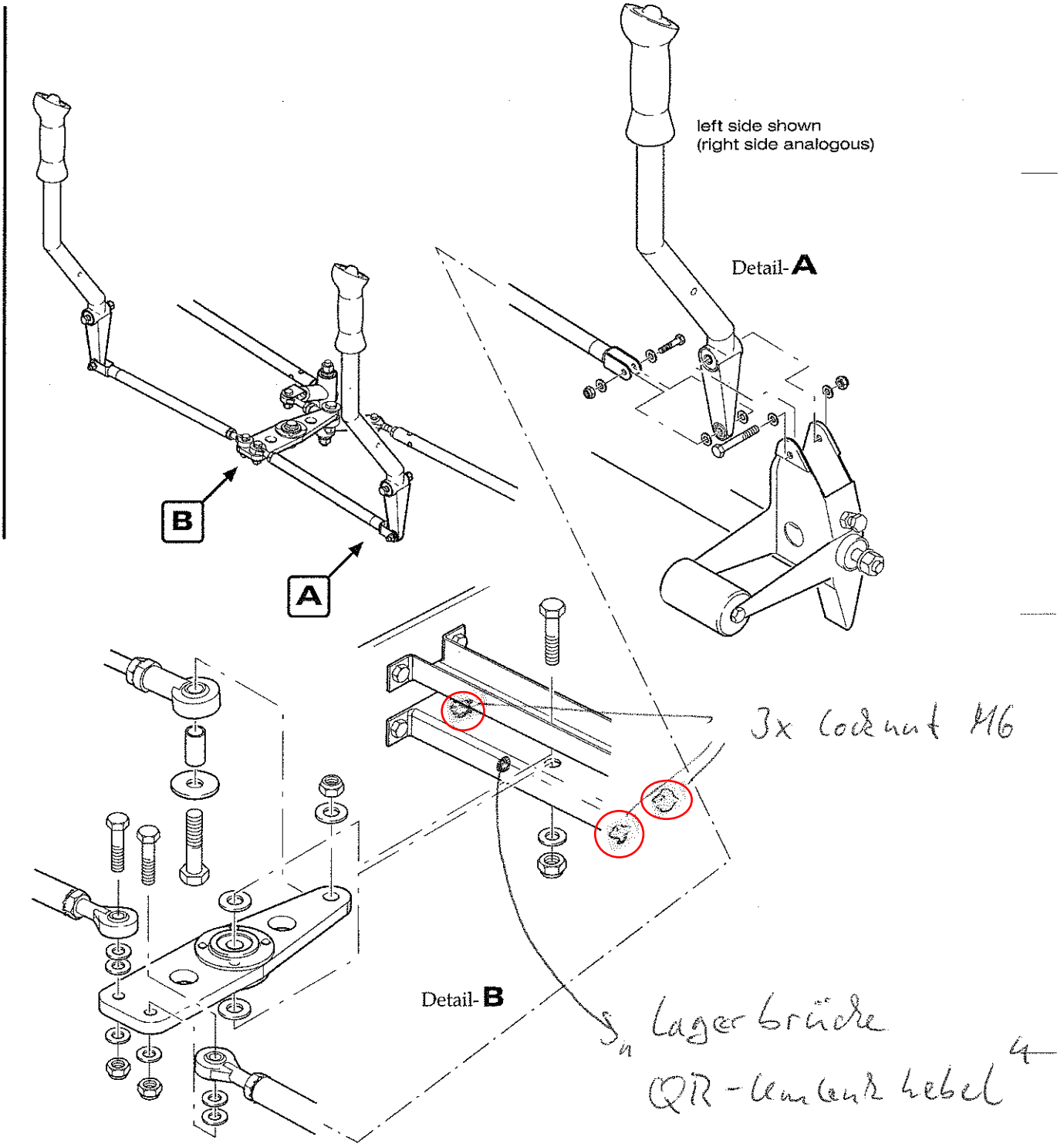


Access / Inspection Plates
Figure 1



Component Installation
Figure 201